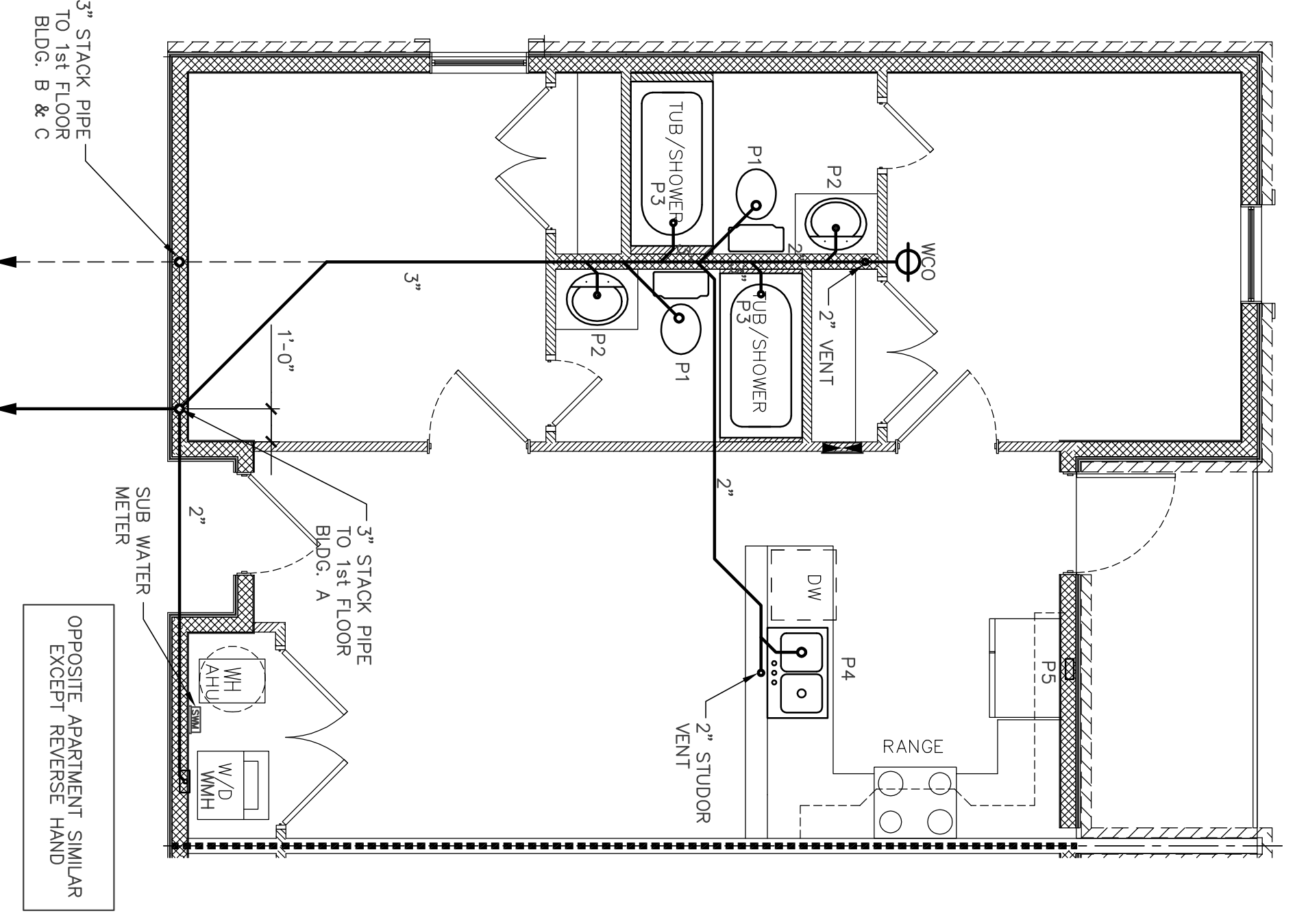


Plumbing Riser Diagram
 Typical 2-Bedroom Units - Bldg. "A" - 2nd & 3rd Floors
 Typical 2-Bedroom Units - Bldg. "B" - 1st, 2nd & 3rd Floors
 Typical 2-Bedroom Units - Bldg. "C" - 1st, 2nd & 3rd Floors

Scale: N.T.S.

Plumbing Fixture Schedule

- P-1 WATER CLOSET
600-16 4892-04 1/2" MANGROVE FLUSHED TOILET
2075-EL TRADESTAR WOOD SEAT
- P-2 LAVATORY
L-1380 TRADESTAR 19" ROUND LAVATORY
4777-EL CFS SINGLE LEVER FAUCET
- P-3 TUB SHOWER
7502 BATHGRAT AND TUB & SHOWER
40314/C/44312 CFS SINGLE LEVER VALVE
2231 ABAK LIFT & TURN
- P-4 2 COMP. SINK
42332-4 MANGROVE SINK
45318 CFS SINGLE LEVER FAUCET W/ SPRAY
- P-5 ICE MAKER BOX
38602 OATLEY CFW ICEMAKER BOX W/ ARRESTORS
- WMH WASHING MACHINE HOOKUP
OATLEY CFW WASHER BOX W/ ARRESTORS
- WH 40 GAL WATER HEATER
MAGNOS BRADORO WHITE 40 GALLON HEATER



Plumbing Plan
 Typical 2-Bedroom Units - Bldg. "A" - 2nd & 3rd Floors
 Typical 2-Bedroom Units - Bldg. "B" - 1st, 2nd & 3rd Floors
 Typical 2-Bedroom Units - Bldg. "C" - 1st, 2nd & 3rd Floors

Scale: 1/4" = 1'-0"

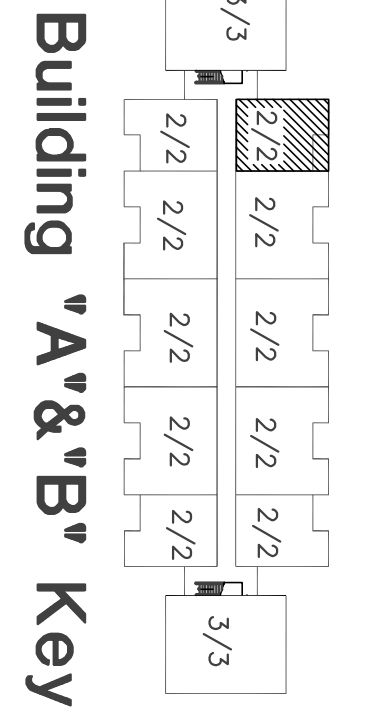
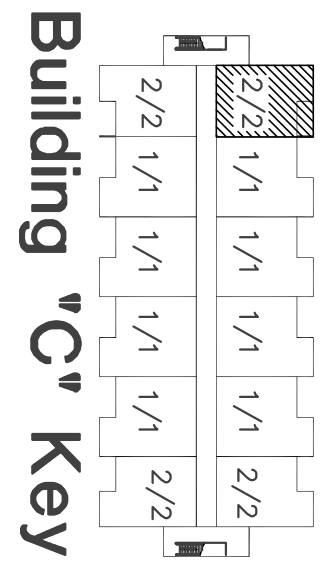
PLUMBING NOTES

1. ALL PLUMBING WORK IS TO CONFORM WITH ALL NATIONAL STATE.
2. ALL INFORMATION ON PLUMBING PLANS IS BASED ON THE BEST INFORMATION AVAILABLE AT THE TIME OF DESIGN, THEREFORE FINAL LAYOUT AND DESIGN WILL BE THE SOLE RESPONSIBILITY OF THE CONTRACTOR.
3. BUILDING CONTRACTOR SHALL PROVIDE THE ARCHITECT WITH SPEC. SHEETS ON ALL PLUMBING EQUIPMENT AND FINISHES.

SCHEMATIC DESIGN NOTES:

DESIGN SHOWN IS SCHEMATIC IN NATURE AND SHOWN FOR GENERAL LAYOUT ONLY. CONTRACTOR TO VERIFY PLUMBING REQUIREMENTS FROM TO CONSTRUCTION.

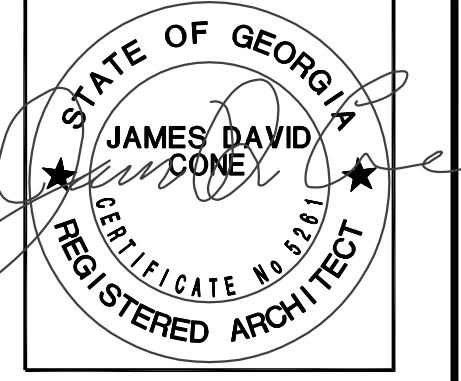
IF YOU DIG GEORGIA...
 CALL US FIRST!
 1-800-282-7411
 UTILITIES PROTECTION CENTER
 IT'S THE LAW



A New Apartment Complex
 For
Remerton Mill Apartments
 1853 W. Gordon Street
 Remerton, Georgia

JAMES D. CONE
 ARCHITECT

1806 PLUM STREET VALDOSTA, GA. 31601 TELE (229) 247-8378 FAX (229) 245-9311 E-mail JIMMY_CMA@BELLSOUTH.NET



DRAWING NUMBER
P-1.3
 SHEET 29 OF 47

DATE: _____
 CHECKED: _____
 DRAWN: _____