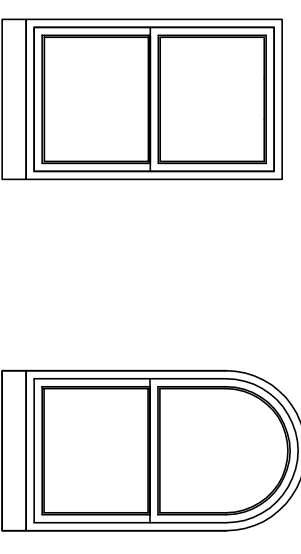


WINDOW SCHEDULE

MARK	WIDTH X HEIGHT	TYPE	GLAZING	MUNTINS	INSULATED	TINTED	TRANSOM	HEAD HT.	FRAME MATL.	FRAME FIN.	REMARKS
W1	3'-0" x 5'-0"	A	LOW-E	N	Y	N	N	8'-0"	VINYL	FACTORY	1st & 2nd FLOOR
W2	3'-0" x 5'-6"	B	LOW-E	N	Y	N	N	8'-0"	VINYL	FACTORY	3rd FLOOR ONLY

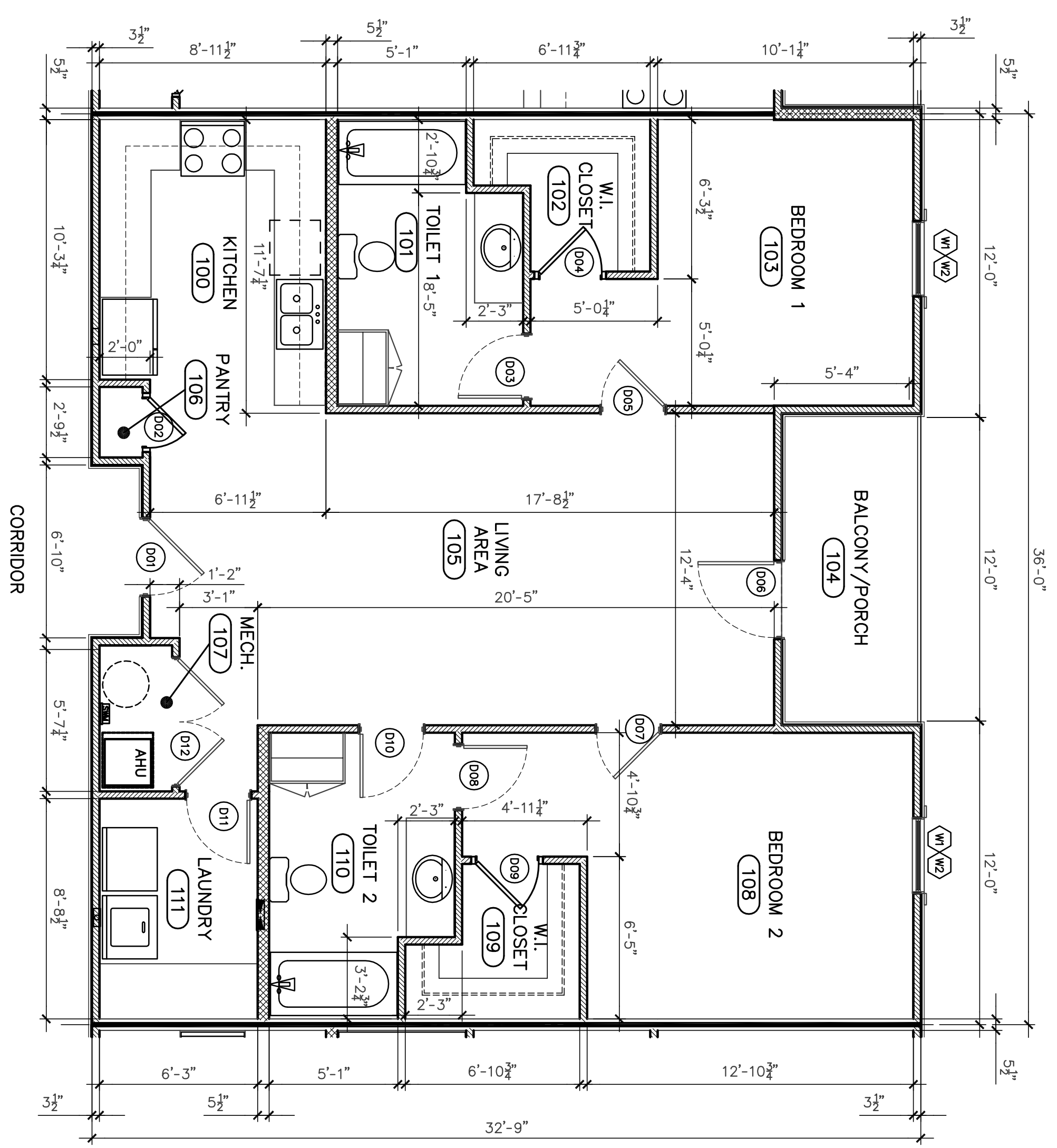


DOOR SCHEDULE

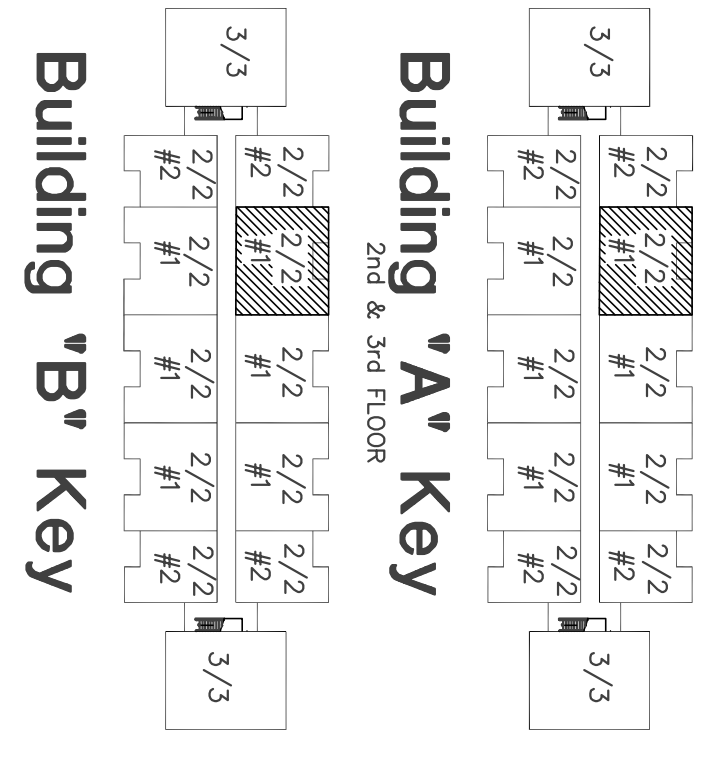
DOOR No.	WIDTH X HEIGHT	TYPE	DR. MATL.	DR. FIN.	FIRE RATED	HDWR SET	CLOSER	SIGNAGE	FRAME MATL.	FRAME FIN.	REMARKS
D01	3'-0" x 6'-8"	STEEL	PAINT	Y					STEEL	PAINT	
D02	2'-0" x 6'-8"	MASONITE	PAINT	WOOD					WOOD	PAINT	
D03	2'-6" x 6'-8"	MASONITE	PAINT	WOOD					WOOD	PAINT	
D04	2'-6" x 6'-8"	MASONITE	PAINT	WOOD					WOOD	PAINT	
D05	2'-6" x 6'-8"	MASONITE	PAINT	WOOD					WOOD	PAINT	
D06	3'-0" x 6'-8"	COMPOSITE	PAINT	WOOD					WOOD	PAINT	
D07	2'-6" x 6'-8"	MASONITE	PAINT	WOOD					WOOD	PAINT	
D08	2'-6" x 6'-8"	MASONITE	PAINT	WOOD					WOOD	PAINT	
D09	2'-6" x 6'-8"	MASONITE	PAINT	WOOD					WOOD	PAINT	
D10	2'-6" x 6'-8"	MASONITE	PAINT	WOOD					WOOD	PAINT	
D11	2'-6" x 6'-8"	MASONITE	PAINT	WOOD					WOOD	PAINT	
D12	(PR.) 2'-6" x 6'-8"	MASONITE	PAINT	WOOD					WOOD	PAINT	LOUVERED DOOR

ROOM FINISH SCHEDULE

ROOM No.	AREA NAME	FLOOR BASE	WALL	CEILING	CL.G. HEIGHT	REMARKS
100	KITCHEN	LVT	5/8" TYPE "X" GWB PAINTED	5/8" TYPE "X" GWB STUCCO/CONC. SIDING	9'-0"	
101	TOILET 1	CONCRETE	5/8" TYPE "X" GWB PAINTED	5/8" TYPE "X" GWB STUCCO/CONC. SIDING	9'-0"	
102	W.I. CLOSET	WOOD	5/8" TYPE "X" GWB PAINTED	5/8" TYPE "X" GWB STUCCO/CONC. SIDING	9'-0"	
103	BALCONY/PORCH	WOOD	5/8" TYPE "X" GWB PAINTED	5/8" TYPE "X" GWB STUCCO/CONC. SIDING	9'-0"	
104	LIVING AREA	WOOD	5/8" TYPE "X" GWB PAINTED	5/8" TYPE "X" GWB STUCCO/CONC. SIDING	9'-0"	
105	PANTRY	WOOD	5/8" TYPE "X" GWB PAINTED	5/8" TYPE "X" GWB STUCCO/CONC. SIDING	9'-0"	
106	MECH.	WOOD	5/8" TYPE "X" GWB PAINTED	5/8" TYPE "X" GWB STUCCO/CONC. SIDING	9'-0"	
107	BEDROOM 1	WOOD	5/8" TYPE "X" GWB PAINTED	5/8" TYPE "X" GWB STUCCO/CONC. SIDING	9'-0"	
108	BEDROOM 2	WOOD	5/8" TYPE "X" GWB PAINTED	5/8" TYPE "X" GWB STUCCO/CONC. SIDING	9'-0"	
109	W.I. CLOSET	WOOD	5/8" TYPE "X" GWB PAINTED	5/8" TYPE "X" GWB STUCCO/CONC. SIDING	9'-0"	
110	TOILET 2	WOOD	5/8" TYPE "X" GWB PAINTED	5/8" TYPE "X" GWB STUCCO/CONC. SIDING	9'-0"	
111	LAUNDRY	WOOD	5/8" TYPE "X" GWB PAINTED	5/8" TYPE "X" GWB STUCCO/CONC. SIDING	9'-0"	
	CORRIDOR	WOOD	5/8" TYPE "X" GWB PAINTED	5/8" TYPE "X" GWB STUCCO/CONC. SIDING	9'-0"	SEE C/A-41



Typical Floor Plan
2-Bedroom Unit #1 - Bldg. "A" - 2nd & 3rd Floors
2-Bedroom Unit #1 - Bldg. "B" - 2nd & 3rd Floors
 Scale: 1/4" = 1'-0"



DRAWING NUMBER
A-3.2
SHEET 15 OF 47

DRAWN _____
CHECKED _____
JOB NUMBER _____
DATE _____
REVISIONS _____

THESE DIMENSIONS ARE THE PROPERTY OF JAMES D. CONE ARCHITECT AND SHALL BE KEPT CONFIDENTIAL AND NOT REPRODUCED OR TRANSMITTED IN ANY FORM OR BY ANY MEANS, ELECTRONIC OR MECHANICAL, INCLUDING PHOTOCOPYING, RECORDING, OR BY ANY INFORMATION STORAGE AND RETRIEVAL SYSTEM.

A New Apartment Complex
 For
Remerton Mill Apartments
 1853 W. Gordon Street
 Remerton, Georgia

JAMES D. CONE
ARCHITECT

1806 PLUM STREET VALDOSTA, GA. 31601 TELE (229) 247-8378 FAX (229) 245-9311 E-mail JIMMY_CMA@BELLSOUTH.NET

