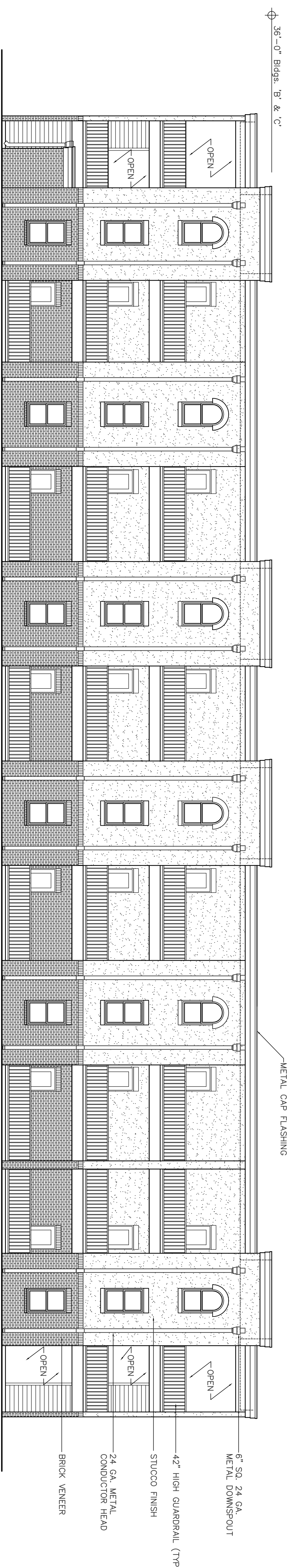
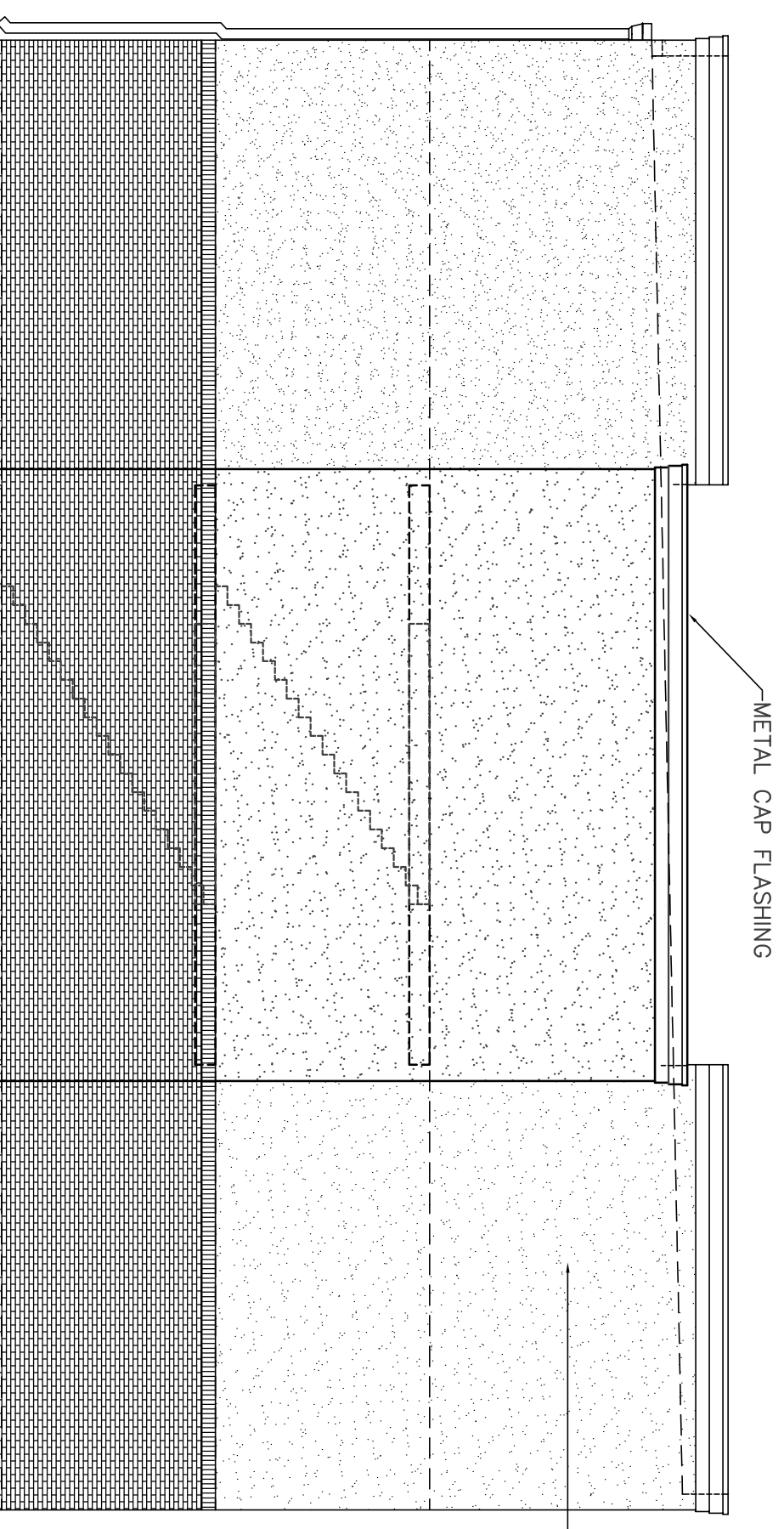


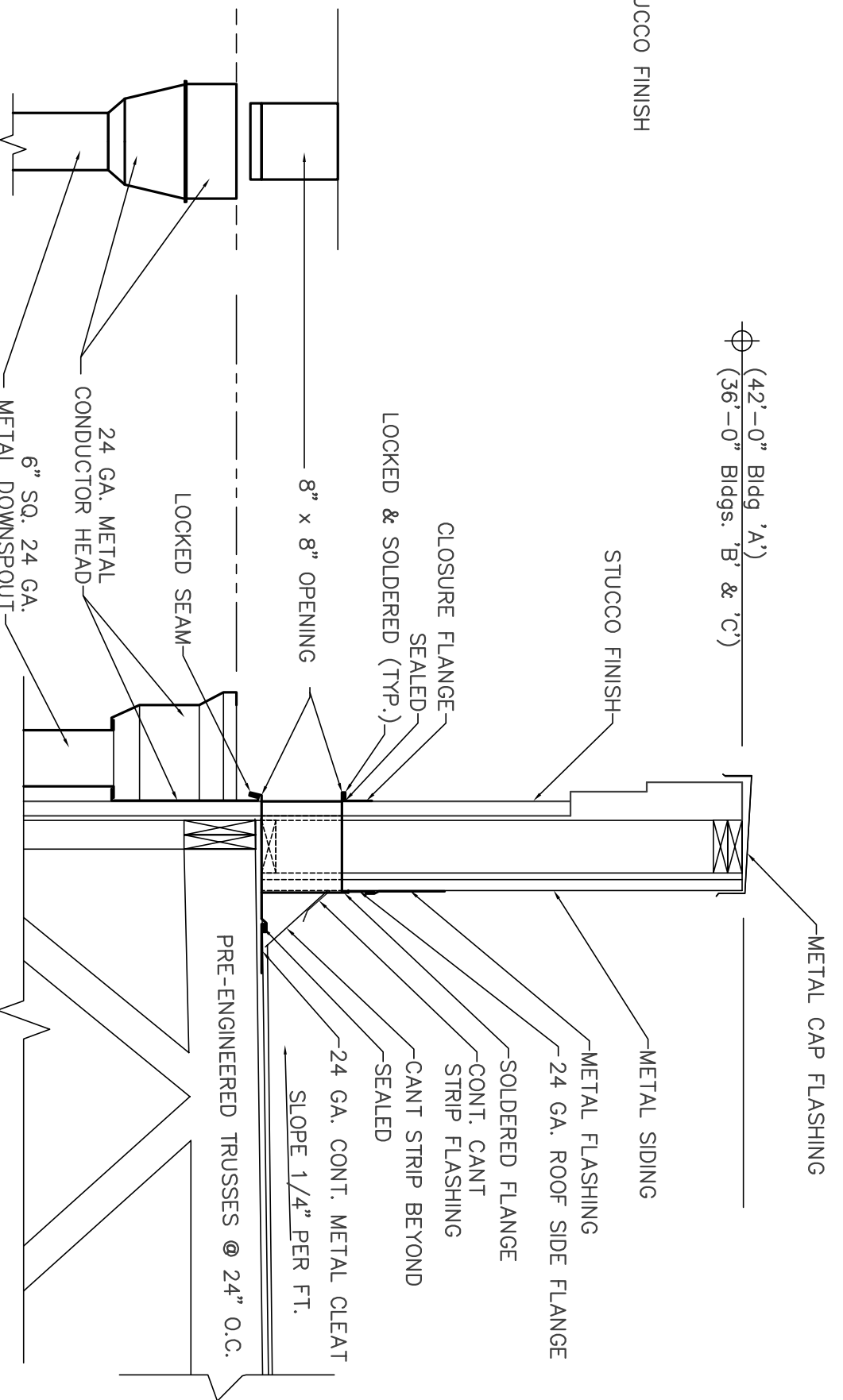
Front Elevation - Building C
Scale: 1/8" = 1'-0"



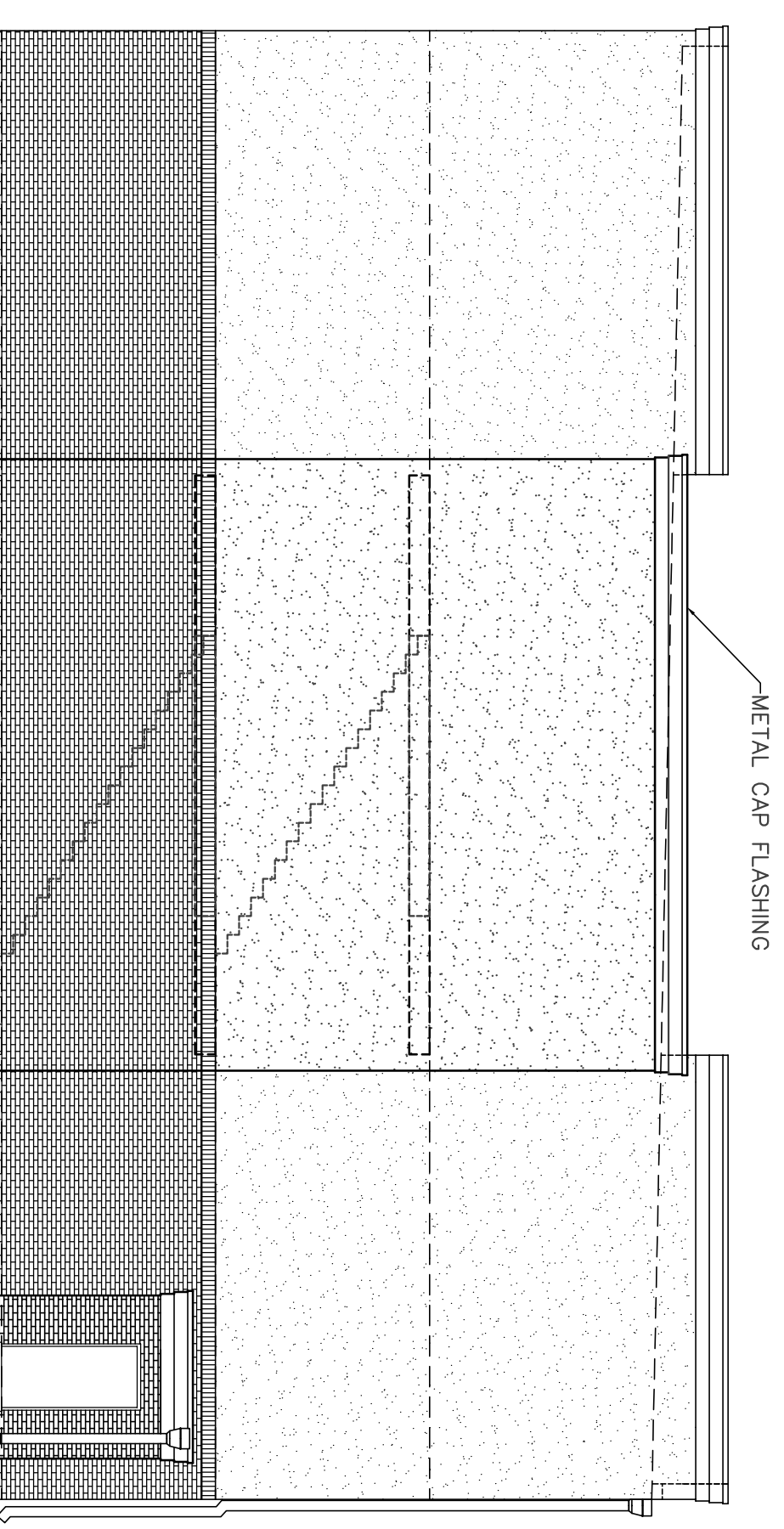
Rear Elevation - Building C
Scale: 1/8" = 1'-0"



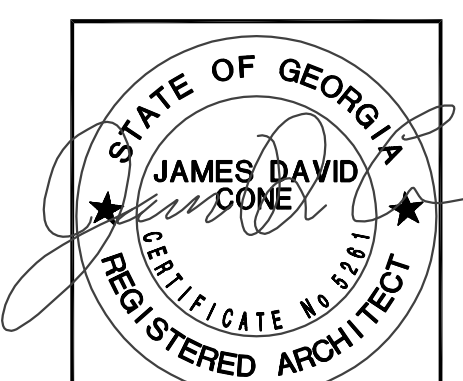
Left Side Elevation - Building C
Scale: 1/8" = 1'-0"



Detail & Section @ Scuppers
Scale: 3/4" = 1'-0"



Right Side Elevation - Building C
Scale: 1/8" = 1'-0"



JAMES D. CONE
ARCHITECT

1806 PLUM STREET VALDOSTA, GA. 31601 TELE (229) 247-8378 FAX (229) 245-9311 E-mail JIMMY_CMA@BELLSOUTH.NET

A New Apartment Complex
For
Remerton Mill Apartments
1853 W. Gordon Street
Remerton, Georgia

DRAWING NUMBER
A-2.3
SHEET 13 OF 47

DATE: June 5, 2018

REVISIONS:

CHECKED: [Signature]
JOB NUMBER: 17-200
DRAWN: [Signature]

THESE DRAWINGS ARE THE PROPERTY OF JAMES D. CONE ARCHITECT. PERMISSION AND CREDIT REQUIRED FOR REPRODUCTION.