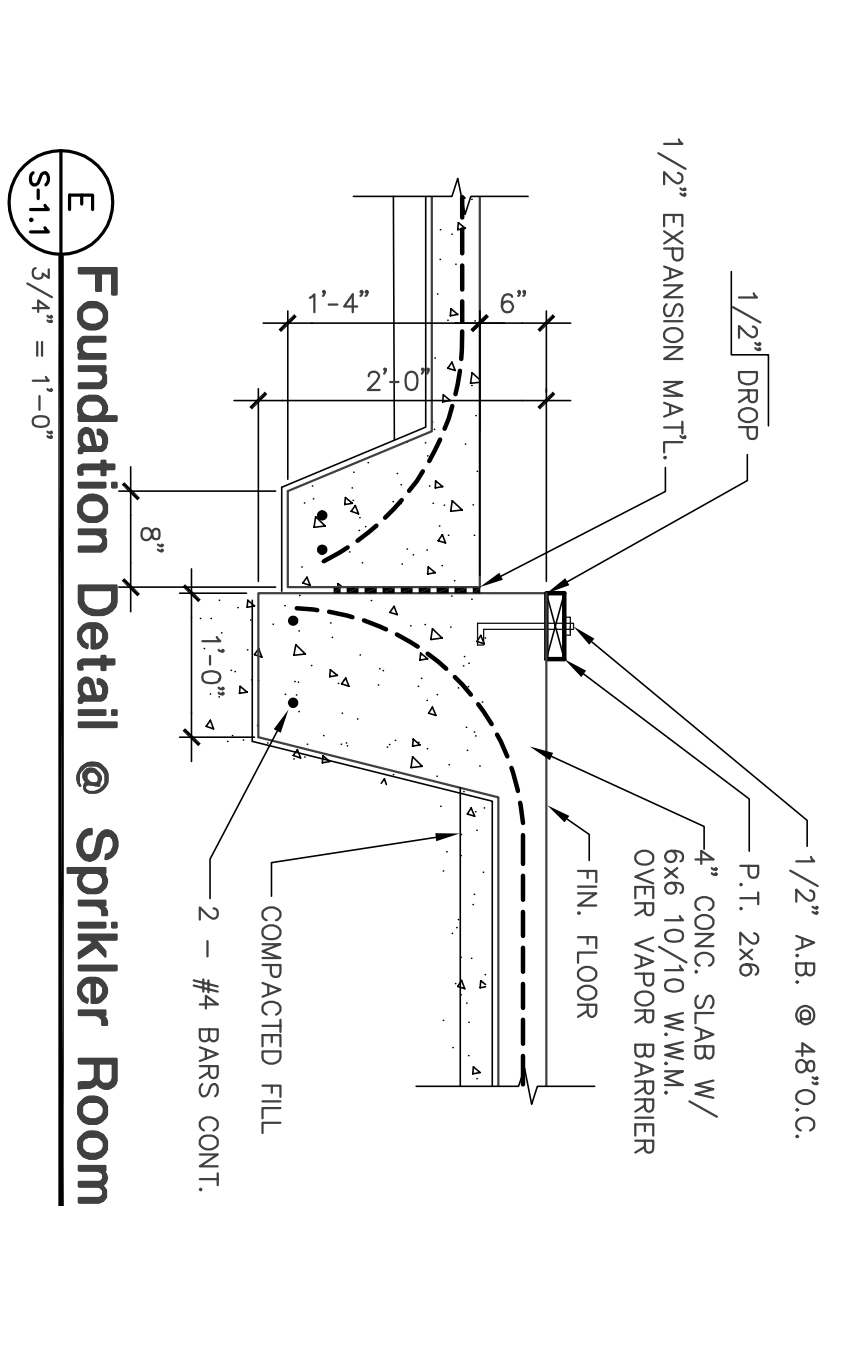
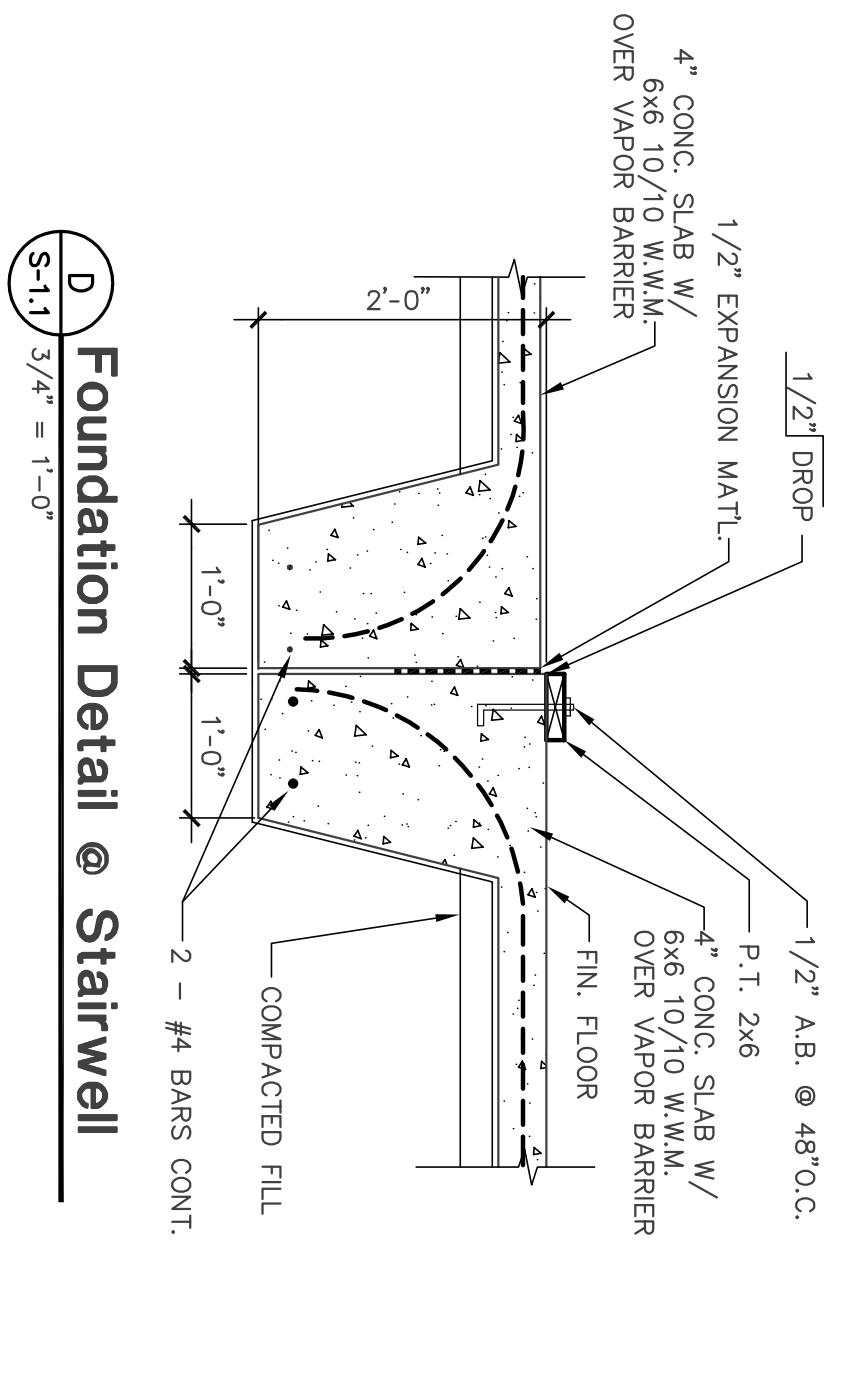
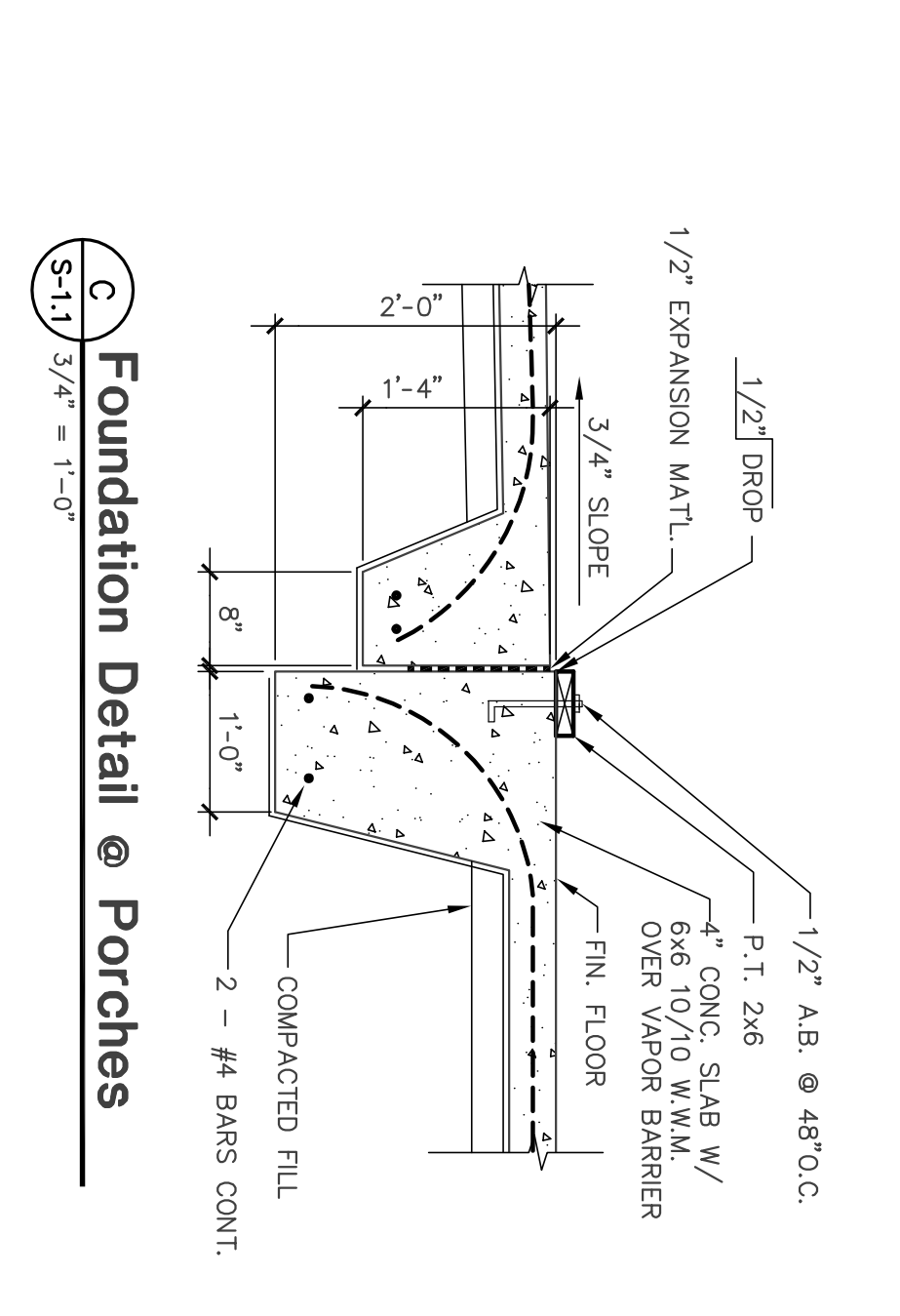
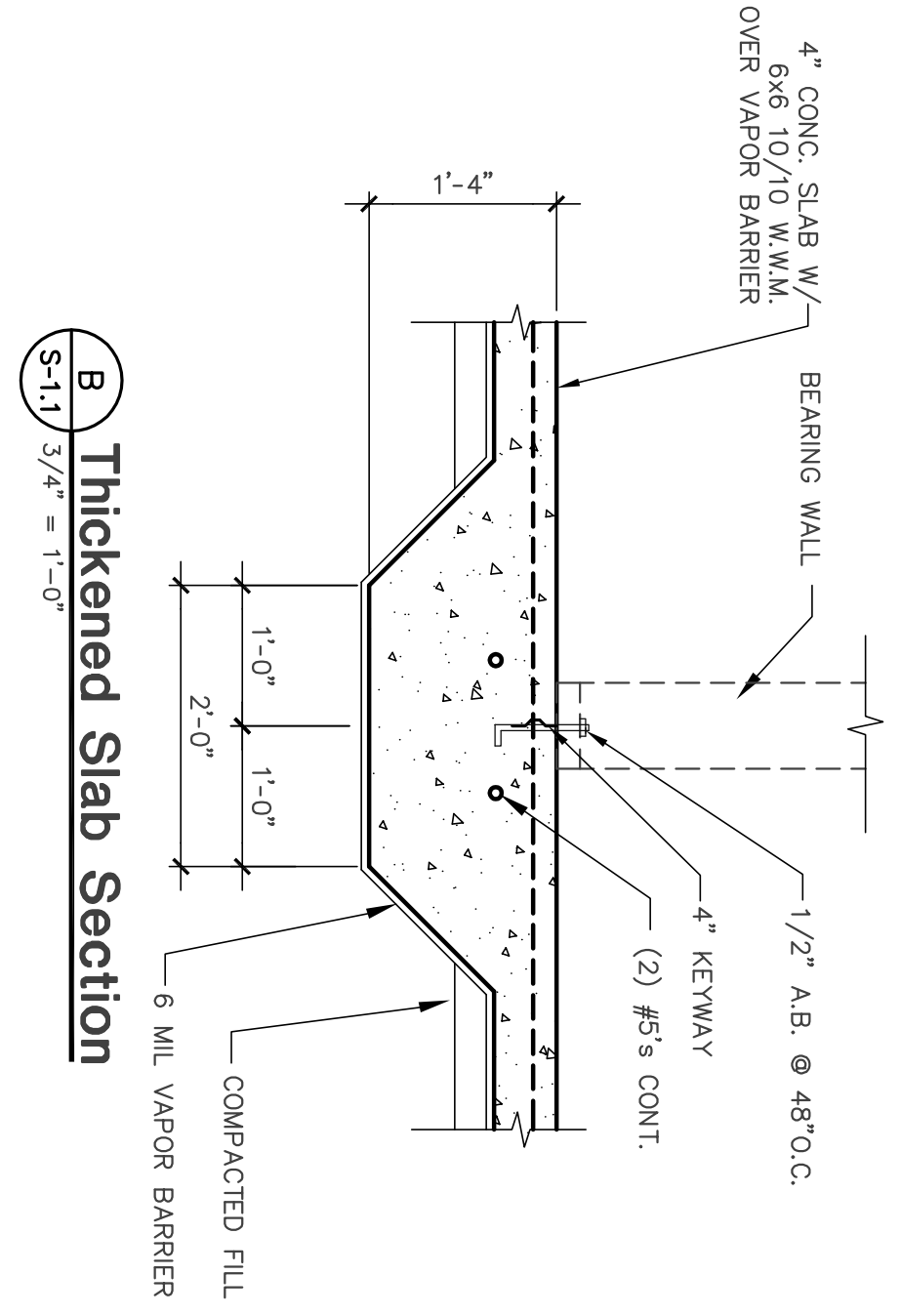
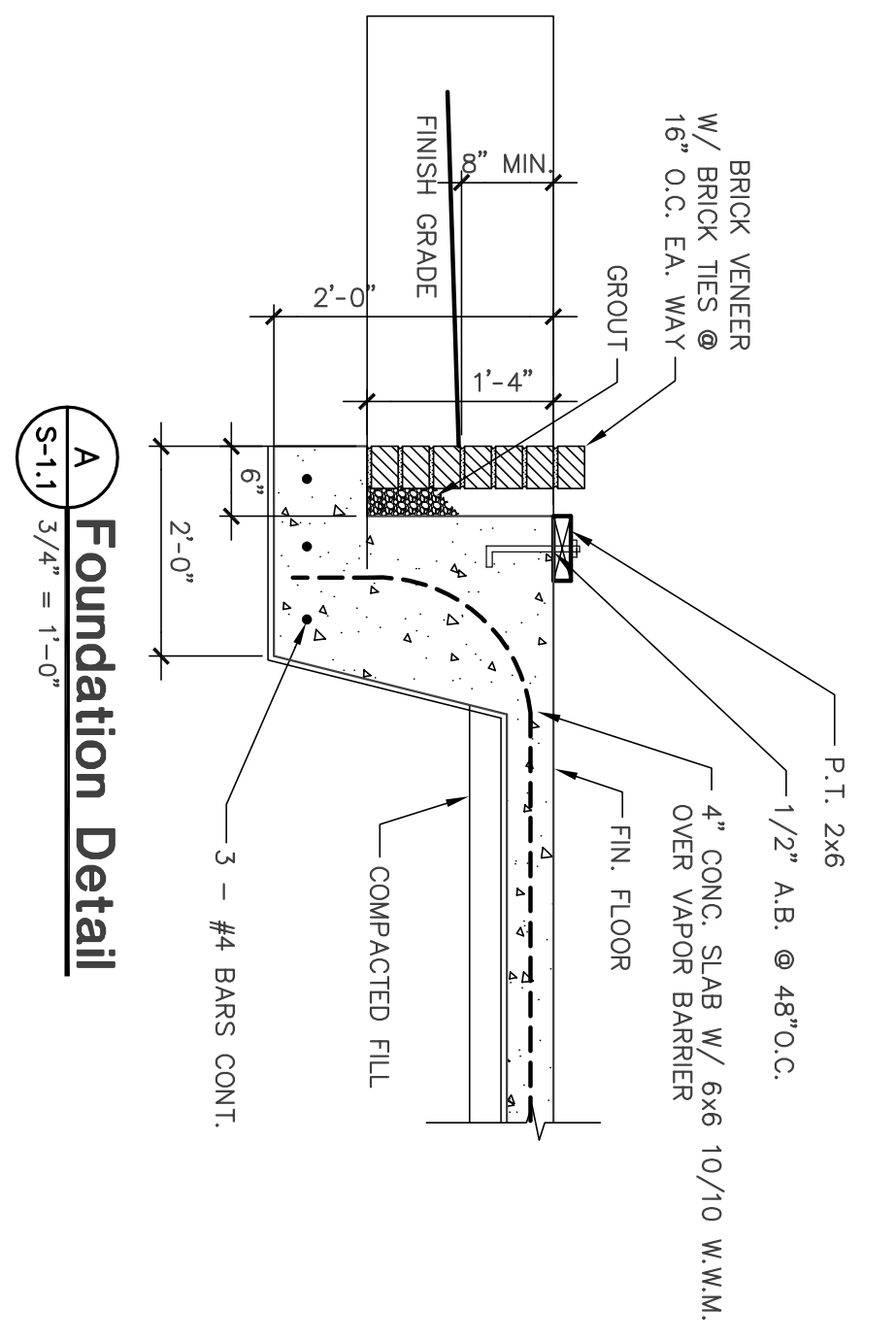
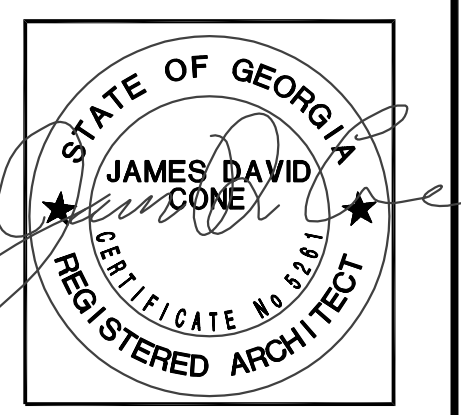


Foundation Plan - Bldg. 'A'
Scale: 1/8" = 1'-0"



FOUNDATION AND FILL NOTES

1. ALL STATE AND LOCAL CODES SHALL BE COMPLIED WITH BY THE CONTRACTOR DURING CONSTRUCTION.
2. CONTRACTOR SHALL CHECK AND VERIFY ALL DIMENSIONS AND THE CONDITIONS AT THE JOB SITE.
3. PRIOR TO GRADING OPERATIONS ALL SOIL, ORGANIC LITTER AND FILL SHALL BE STRIPPED FROM THE BUILDING AREA.
4. ANY WATER SOFTENED SOILS FOUND IN FOOTING EXCAVATIONS SHALL BE REMOVED AND REPLACED WITH SUITABLE SOIL PRIOR TO CONCRETE AND STEEL PLACEMENT.
5. ALL NEW FILL MATERIAL SHALL NOT BE MORE THAN 30% BY WEIGHT FINER THAN NO. 200 US STANDARD SIEVE AND SHALL CONFORM TO THE FOLLOWING PROPERTIES:
 A. ELASTICITY UNIT, LW = 15 MAX.
 B. ELASTICITY UNIT, LW = 15 MAX.
 C. DRY UNIT WEIGHT = 100 LBS. PER CU. FT.
6. ALL NEW FILL MATERIAL SHALL BE UNIFORMLY PLACED AT OPTIMUM MOISTURE CONTENT IN 6" UNIFORM LAYERS AND COMPACTED TO A MINIMUM SOIL BEARING PRESSURE OF 3000 PSF. (TYP. FOR FOOTINGS)
7. WHERE FOOTINGS BEAR ON UNDISTURBED SOIL, THE BEARING PRESSURE SHALL BE NO LESS THAN 3000 PSF.
8. ALL SUB GRADES MUST BE LEVEL, SMOOTH AND UNIFORMLY COMPACTED. SUB GRADE MUST BE ACCURATE TO WITHIN 1/4" OF DESIGNATED LEVEL.
9. 3000 PSI CONCRETE AND INTERMEDIATE GRADE REINFORCING STEEL SHALL BE USED.
10. FOR CONTINUOUS REINFORCING, USE 6 X 6 NO. 10/10 WWF. ALL LAPS SHALL BE WIRED TOGETHER A MIN. OF 8".
11. BARS MARKED "CONTINUOUS" SHALL BE LAPPED 30 BAR DIAMETERS AT SPICE POINTS AND WIRED TOGETHER.
12. ALL ANCHOR BOLTS SHALL BE HIGH STRENGTH.
13. WHERE MASONRY EXTENDS BELOW GRADE, FILL BLOCK CELLS AND CAVITIES WITH MORTAR.
14. E.L. INDICATES PREACKNOWLEDD EXPANSION JOINTS.
15. WHERE A DETAIL IS SHOWN FOR ONE CONDITION IT SHALL APPLY TO ALL LIKE OR SIMILAR CONDITIONS EVEN THOUGH NOT SPECIFICALLY MARKED ON THE PLANS.



JAMES D. CONE
ARCHITECT

1806 PLUM STREET VALDOSTA, GA. 31601 TELE (229) 247-8378 FAX (229) 245-9311 E-mail JIMMY_CMA@BELLSOUTH.NET

A New Apartment Complex
For
Remerton Mill Apartments
1853 W. Gordon Street Remerton, Georgia



IF YOU DIG GEORGIA...
CALL US FIRST!
1-800-282-7411
UTLIES PROTECTION CENTER

DRAWING NUMBER
S-1.1
SHEET 2 OF 47

CHECKED _____
JOB NUMBER 17-00
DATE June 5, 2018
REVISIONS _____
DRAWN _____
JOB NUMBER _____
DATE _____

THESE DRAWINGS ARE THE PROPERTY OF JAMES D. CONE ARCHITECT. NO REPRODUCTION OR TRANSMISSION IS PERMITTED WITHOUT THE WRITTEN PERMISSION AND CREDIT.