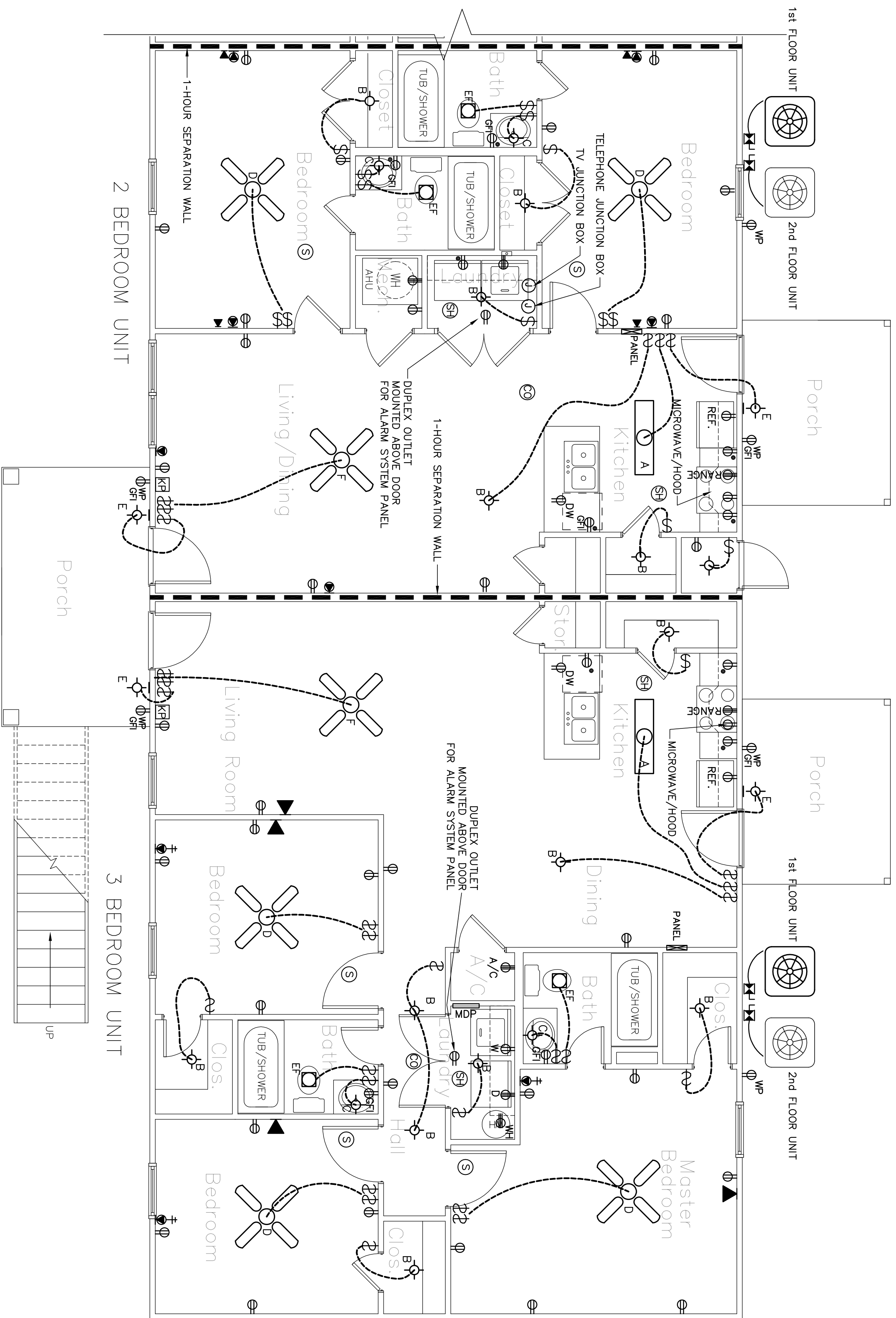
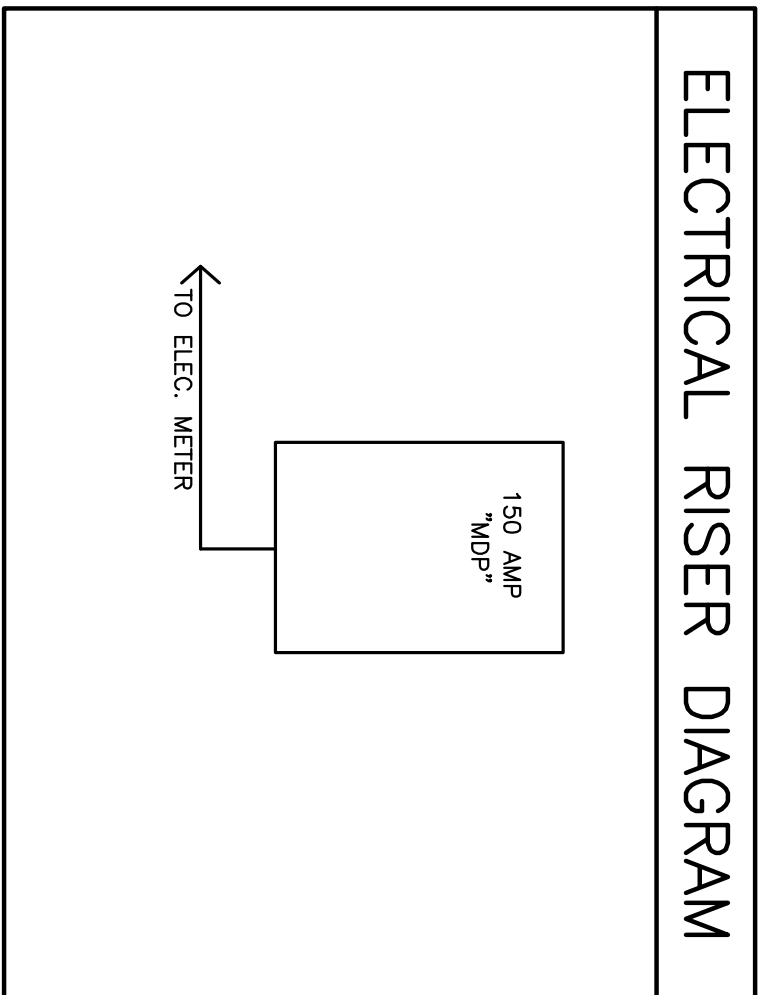


LIGHTING FIXTURE SCHEDULE			
SYMBOL	NO.	TYPE	REMARKS
	A	1X4 FLUOR. SURFACE MOUNT	ROYAL PACIFIC 4213 (2) 32W LAMPS
	B	INTERIOR CEILING	MILLENNIUM LIGHTING 5366-OZ (1) 60W LAMP
	C	NOT USED	
	D	WALL MOUNT INTERIOR	MILLENNIUM LIGHTING 4833N (3) 100W LAMPS
	E	EMERGENCY LIGHT	COOPER LIGHTING A4224 BATTERY PACK LAMPS INCLUDED.
	EF	EXHAUST FAN	SEE SHEET M-1 WHEED BY ELEC. CONT.
	G	CEILING FAN (BEDROOM)	ROYAL PACIFIC 1059-S-L BUILDER DELUX
	H	WALL MOUNT EXTENSION	TRANS GLOBE FC-4690 BLACK (1) 28W LAMP
	I	CEILING MOUNT EXTERIOR	TRANS GLOBE PL-4015 BLACK PZ305-31 1-9W TWIN ON PHOTOCELL
	J	CEILING FAN (LIVING ROOM & OFFICE)	ROYAL PACIFIC 1059-SH-L BUILDER DELUX
	K	CEILING FAN (LIVING RM & OFFICE)	ROYAL PACIFIC 1059-SH-L BUILDER DELUX



ELECTRICAL RISER DIAGRAM



NOTE:

- ☑ FIRE ALARM AND SMOKE DETECTION SYSTEM REQUIRED FOR EACH UNIT
- ☑ SMOKE DETECTOR
- ☑ SMOKE/HEAT DETECTOR
- ☑ CARBON DIOXIDE DETECTOR

ELECTRICAL LEGEND

	DUPLEX OUTLET AT 16" AFF
	WEATHER PROOF DUPLEX OUTLET AT 16" AFF
	DUPLEX OUTLET AT 48" AFF
	CABLE TV OUTLET (EXTEND CABLE TO EXTERIOR BOX)
	SPECIAL PURPOSE (VOLTAGE, 220V OR 208V)
	TELEPHONE OUTLET (EXTEND WIRING TO EXTERIOR BOX)
	ELECTRICAL PANEL
	FAN/LIGHT SWITCHES
	SINGLE POLE SWITCH
	DISCONNECT
	GANG METER

Electrical Plan - Typical 2 & 3 Bedroom Layout

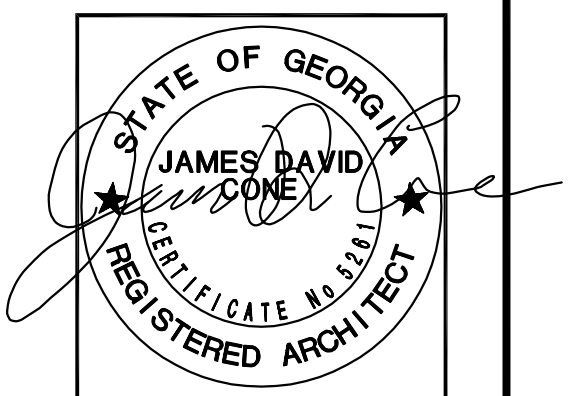
Scale: 1/4" = 1'-0"

Casey's Court Apartments
For
Charlie Hand

Tifton, Georgia

JAMES D. CONE
ARCHITECT

1806 PLUM STREET VALDOSTA, GA. 31601 TELE (229) 247-8378 FAX (229) 245-9311 E-mail JIMMY_CMA@BELLSOUTH.NET



DRAWN	JMC
CHECKED	JAC
JOB NUMBER	1724
DATE	Nov. 29, 2017
REVISIONS	
THESE DRAWINGS ARE THE PROPERTY OF JAMES D. CONE ARCHITECT. NO REPRODUCTION OR TRANSMISSION IN ANY FORM OR BY ANY MEANS IS PERMITTED WITHOUT THE WRITTEN PERMISSION AND CREDIT.	

DRAWING NUMBER
E-1.1
SHEET 11 OF 11

© Copyright 2017 James D. Cone, Architect